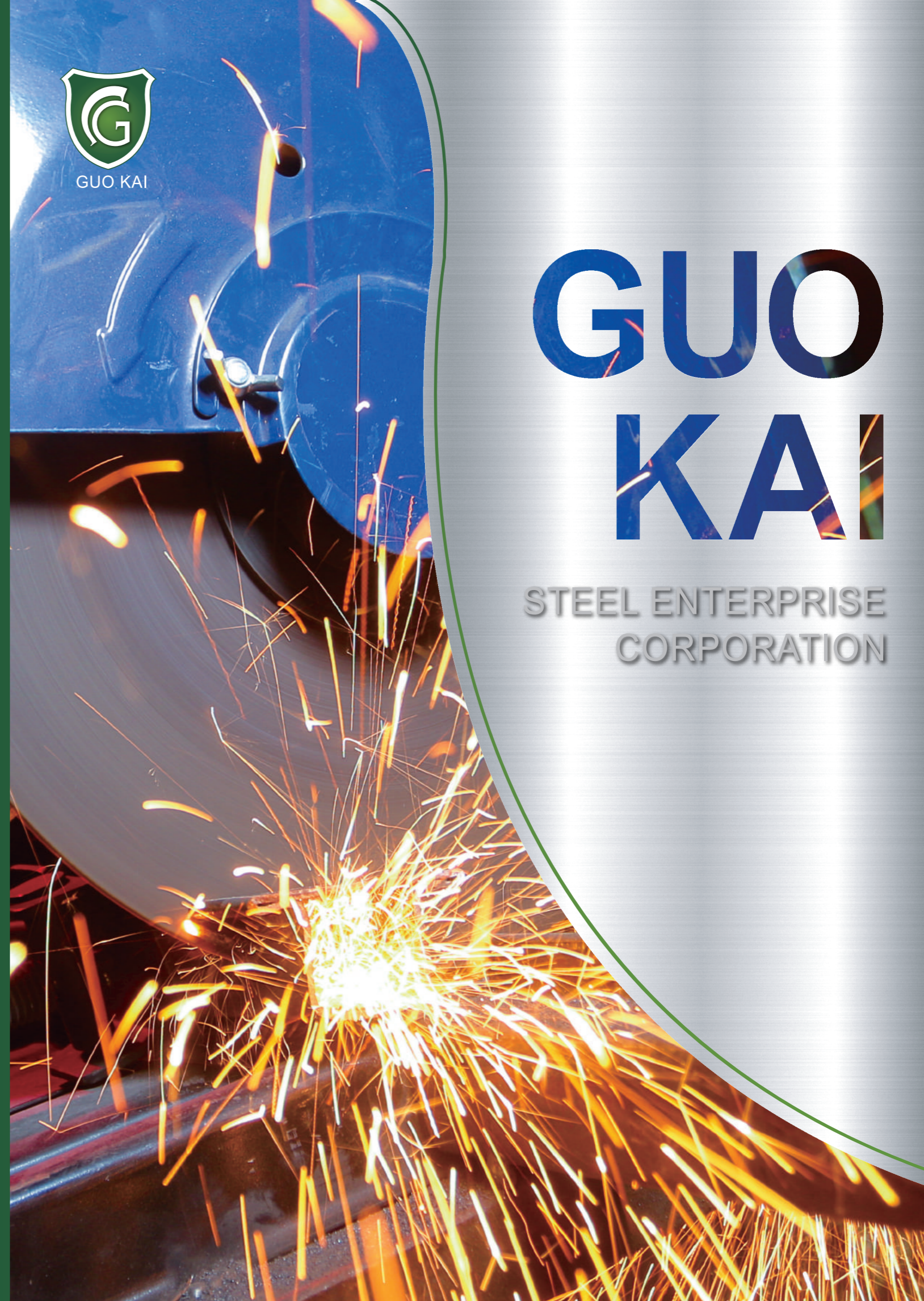




GUO KAI

GUO KAI

STEEL ENTERPRISE
CORPORATION



GUO KAI STEEL ENTERPRISE CORPORATION

No.1, Fuxing St., Tucheng Dist.,
New Taipei City 236043, Taiwan (R.O.C.)

T : 02-22686079-81 F : 02-22686082

E : andyhou@guokaisteel.com.tw

www.guokaisteel.com/



OFFICIAL
LINE ACCOUNT

Guo Kai Steel Inc.

APPLIED INDUSTRIES

- 2 ARCHITECTURE
- 3 FURNITURE
- 4 SHEET METAL & LASER
- 5 MACHINERY
- 6 VEHICLE

PRODUCT

- 7 8 STEEL PLATE
- 9 10 SECTION STEEL
- 11 12 STAINLESS STEEL
- 13 OTHER

INTRODUCTION

- 14 ABOUT US | PROCESSING

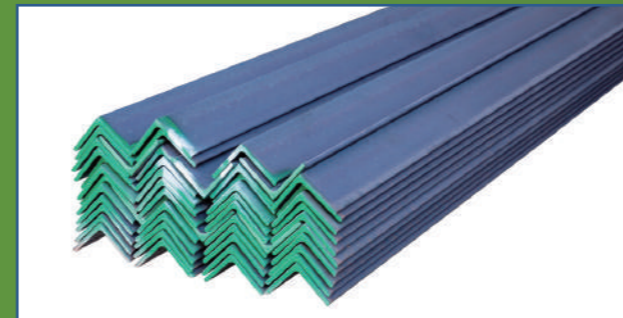
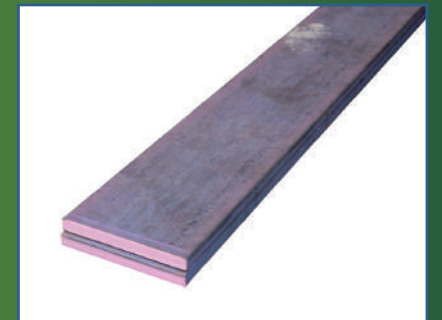
APPLIED INDUSTRIES



ARCHITECTURE

Specially shaped bridges, theaters or office buildings can often attract everyone to stop and stay, and the basic structure comes from the supporting H-beam and other surrounding collocations. We provide the most shock-resistant H-shaped steel on the market, and a complete range of section steel, to provide you with the best and safest quality.

Types of steel applications





FURNITURE

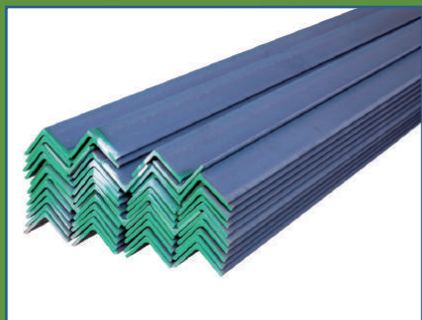
In the modern life that emphasizes the taste of life, fashionable furniture often shows your distinctive style characteristics. The most important thing in the furniture is the supporting frame. We provide all the steel used in the furniture frame to save you the trouble of finding materials.



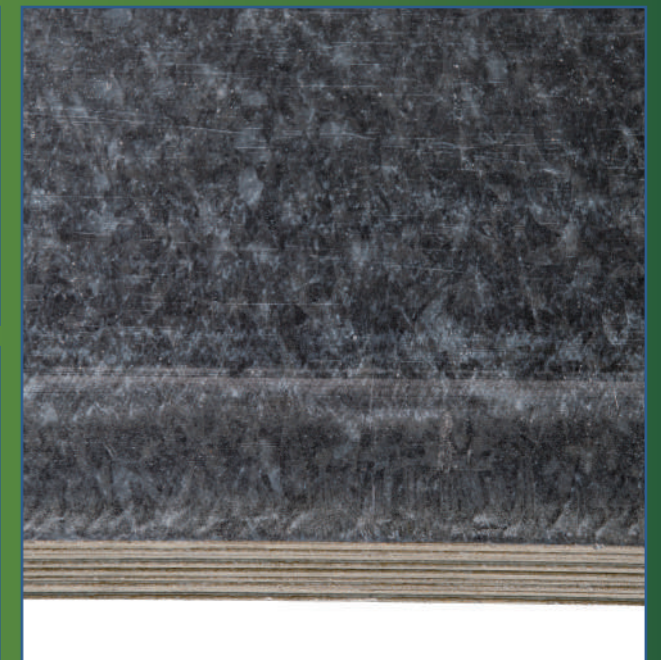
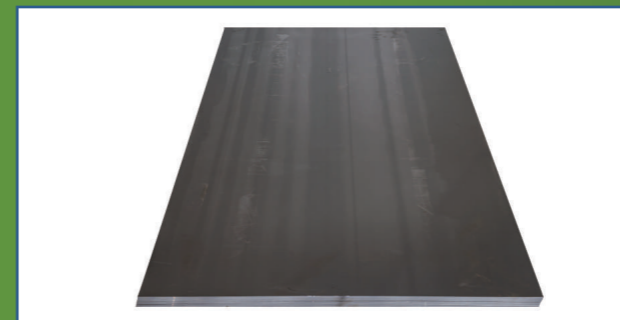
SHEET METAL & LASER

"I'm not in a coffee shop, just on the way to a cafe." cafes everywhere on the road are often equipped with very fashionable metal signboards. We provide processing services for all kinds of plates and make exclusive metal signboards. Let our clients be outstanding is our responsibility.

Types of steel applications



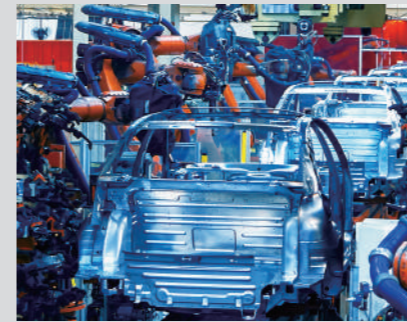
Types of steel applications





MACHINERY

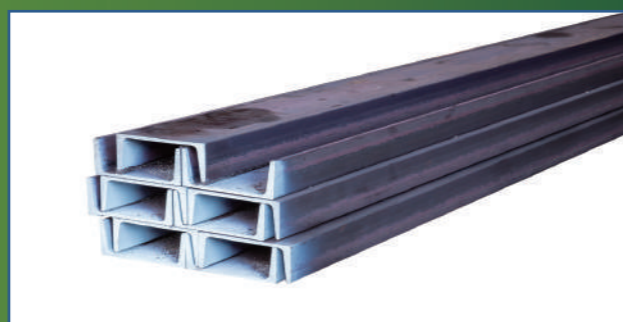
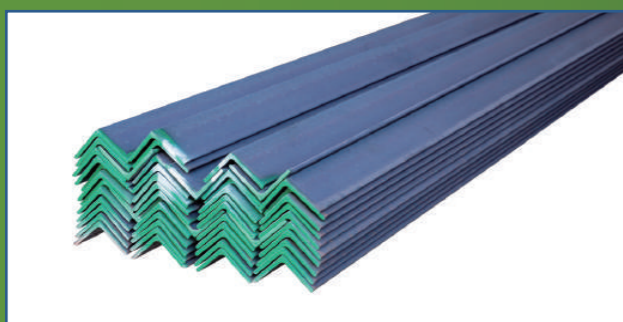
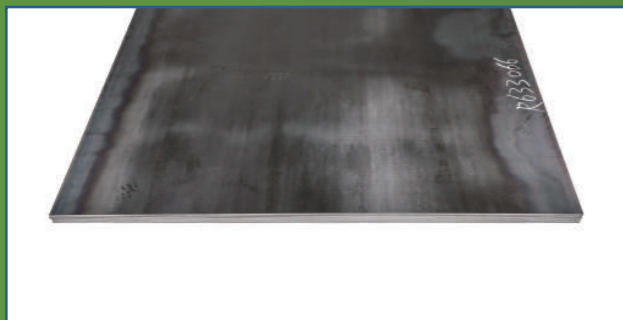
The machine tool industry that supports half of Taiwan's economy, we have all kinds of steel and pipes that will be applied to the shell of the machine and oil drain facilities.



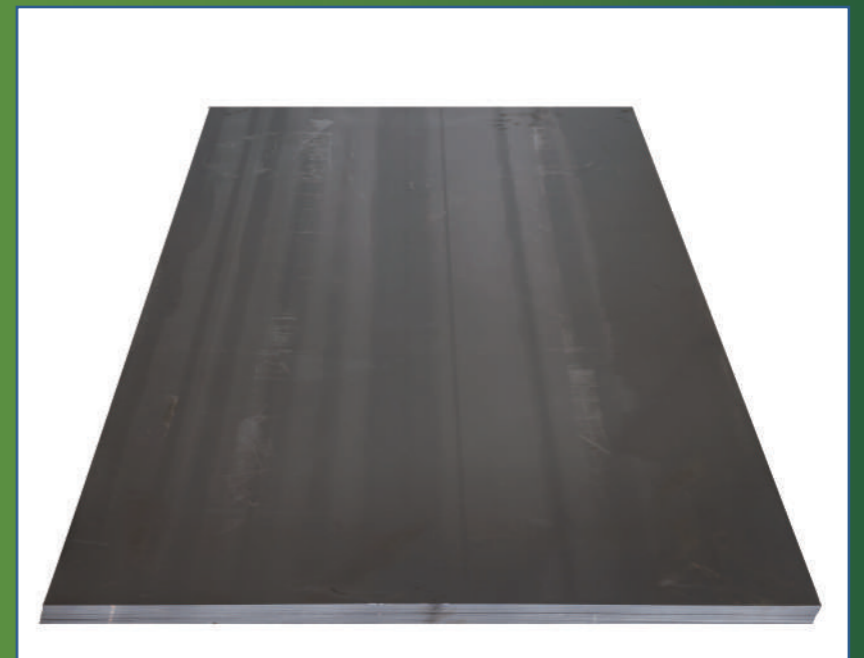
VEHICLE

The birth of a car requires tens of thousands of spare parts, exhaust pipes, brake hoses, fuel systems, etc. It needs a lot of round pipes, stainless steel pipes, rods, etc., and a variety of different plates are used for the interior. We provide the most complete Tubes and rods.

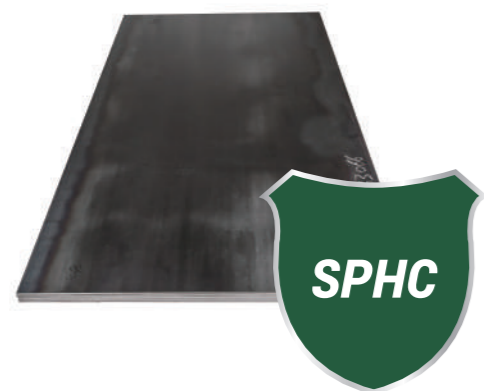
Types of steel applications



Types of steel applications



PRODUCT STEEL PLATE



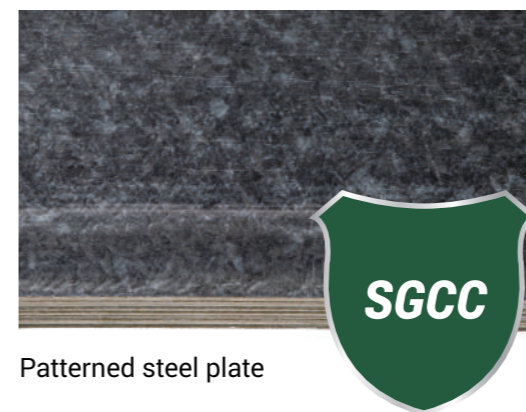
Available Specifications

Thickness(T)	1.2mm ~ 32mm
SIZE	4'8' ~ 5'10' or Customization



Available Specifications

Thickness(T)	1.6mm ~ 6mm
SIZE	4'8' ~ 5'10' or Customization



Patterned steel plate

Available Specifications

Thickness(T)	0.4mm ~ 9mm
SIZE	4'8' ~ 5'10' or Customization



Unpatterned steel plate

Available Specifications

Thickness(T)	0.4mm ~ 9mm
SIZE	4'8' ~ 5'10' or Customization



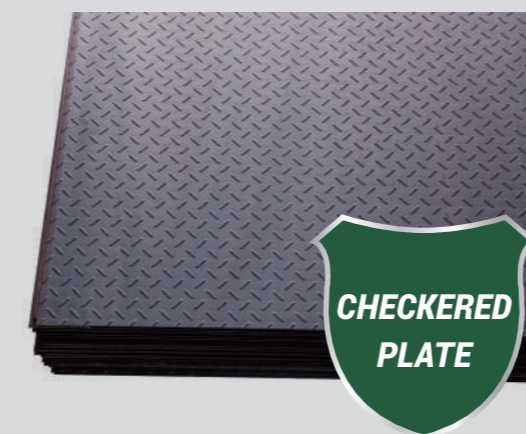
Available Specifications

Thickness(T)	0.4mm ~ 3.2mm
SIZE	4'8' ~ 5'10' or Customization



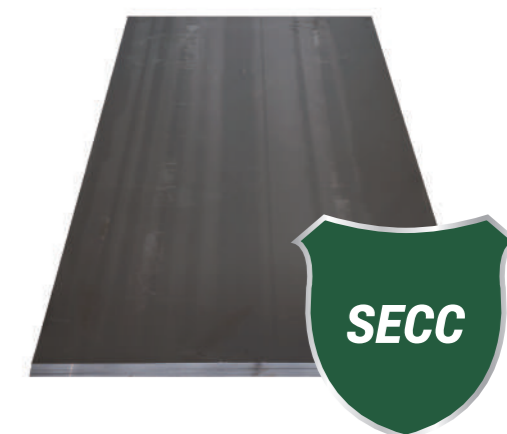
Available Specifications

Thickness(T)	0.4mm ~ 12mm
SIZE	4'8' ~ 5'10' or Customization



Available Specifications

Thickness(T)	2.3mm ~ 16mm
SIZE	4'8' ~ 5'10' or Customization



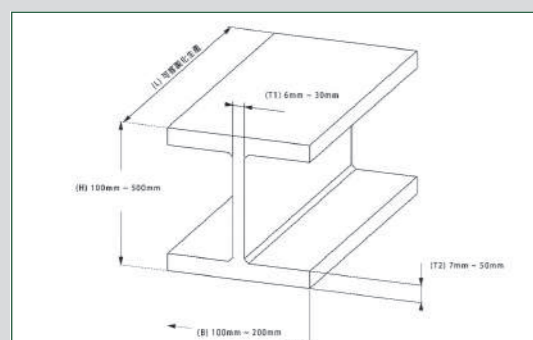
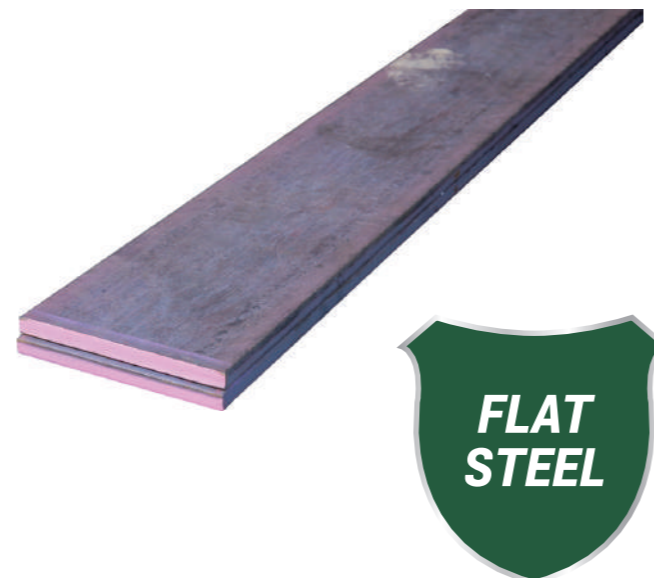
Available Specifications

Thickness(T)	0.5mm ~ 2mm
SIZE	4'8' ~ 5'10' or Customization

STEEL PLATE

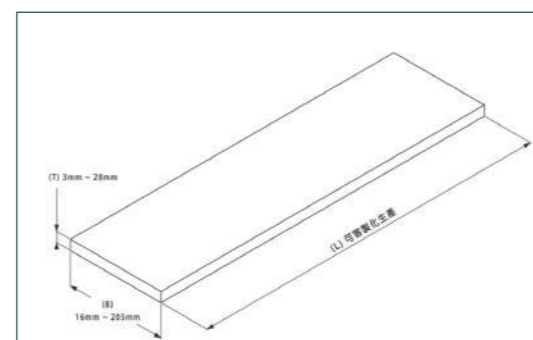
PRODUCT SECTION STEEL

SECTION STEEL



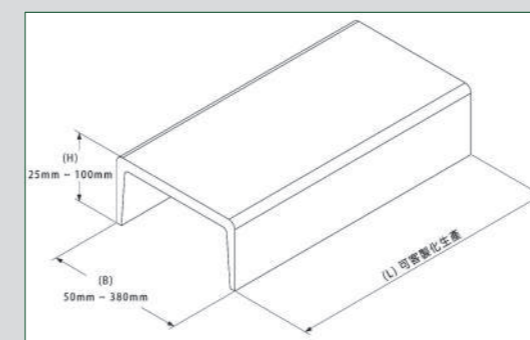
Available Specifications

Height (H)	100mm ~ 500mm
Width (B)	50mm ~ 200mm
Thickness (T1)	6mm ~ 30mm
Thickness (T2)	7mm ~ 50mm
Length (L)	Customization



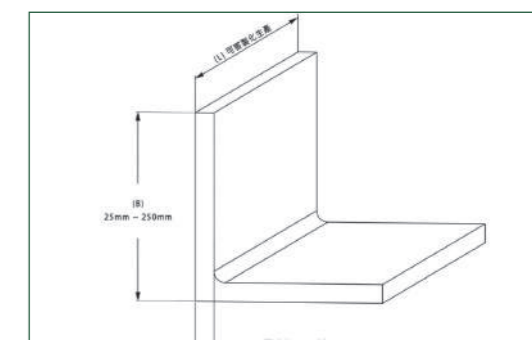
Available Specifications

Width (B)	16mm ~ 205mm
Thickness (T)	3mm ~ 28mm
Length (L)	Customization



Available Specifications

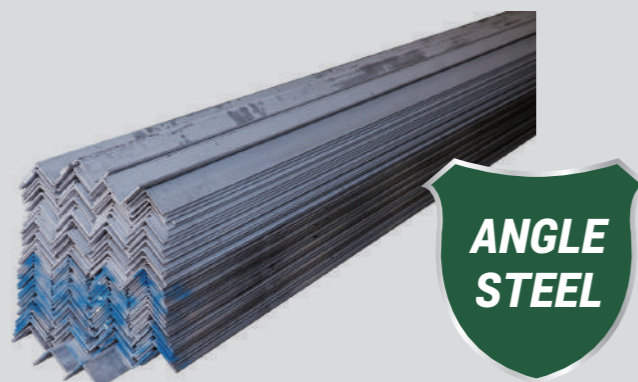
Width (B)	50mm ~ 380mm
Thickness (T)	25mm ~ 100mm
Length (L)	Customization



Available Specifications

Width (B)	25mm ~ 250mm
Thickness (T)	2.5mm ~ 35mm
Length (L)	Customization

PRODUCT STAINLESS STEEL



**ANGLE
STEEL**

Available Specifications

Width (B)	25mm ~ 100mm
Thickness (T)	2mm ~ 10mm
Length (L)	Customization



**CHANNEL
STEEL**

Available Specifications

Height (H)	75mm ~ 150mm
Width (B)	40mm ~ 75mm
Length (L)	Customization

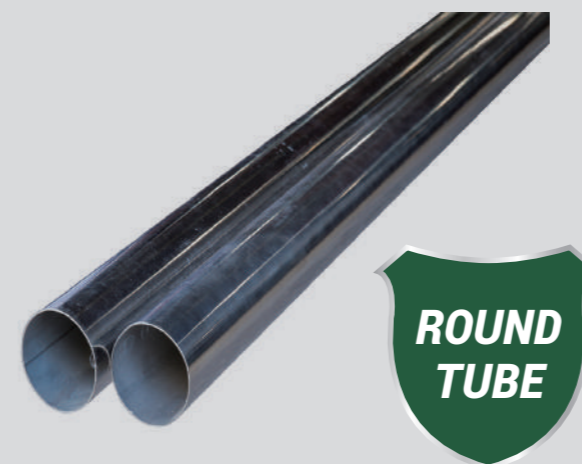


**FLAT
STEEL
PLATE**

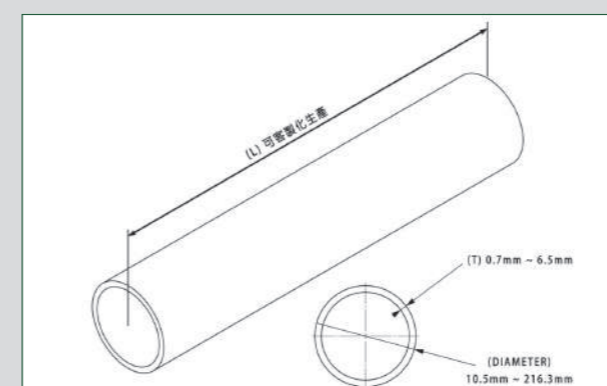
Available Specifications

Width (B)	15mm ~ 100mm
Thickness (T)	2mm ~ 16mm
Length (L)	Customization

STAINLESS STEEL

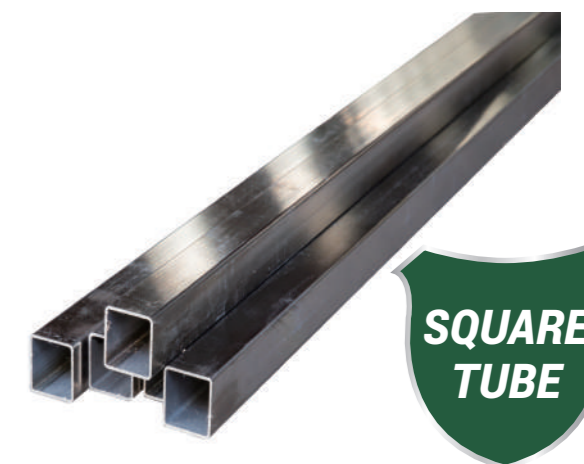


**ROUND
TUBE**

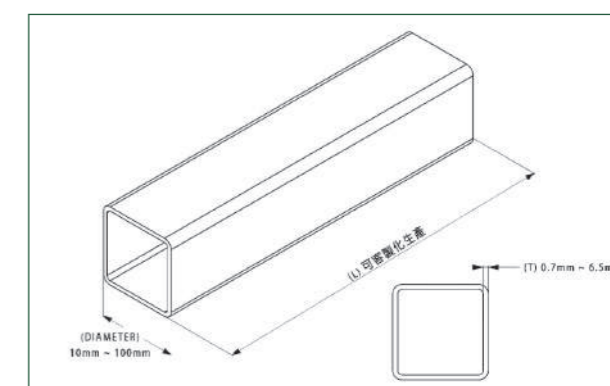


Available Specifications

DIAMETER	10.5mm ~ 216.3mm
Thickness (T)	0.7mm ~ 6.5mm
Length (L)	Customization



**SQUARE
TUBE**



Available Specifications

DIAMETER	10mm ~ 100mm
Thickness (T)	0.7mm ~ 6.0mm
Length (L)	Customization

PRODUCT OTHER

OTHER



Available Specifications

SIZE	200 type : 2.8 ~ 4.5mm
	150 type : 2.3 ~ 4.5mm
	125 type : 2.3 ~ 3.2mm
	100 type : 2.0 ~ 3.2mm
	75 type : 2.3 ~ 2.5mm

Length (L) Customization



Available Specifications

SIZE	D10 ~ D57
Length (L)	4m ~ 18m



Available Specifications

DIAMETER	9mm ~ 30mm
Length (L)	6m or Customization



Available Specifications

DIAMETER	3mm ~ 100mm
Length (L)	6m or Customization

INTRODUCTION

Guo Kai Steel Inc.

ABOUT US

Guo Kai Steel Inc. Guo Kai Steel Inc. was established in 1982, selling steel materials and provided processing service. Our products are mainly about steel plate, section steel, and stainless steel. We provide customers one-stop metal service That means we can also provide steel pipe and rebar or other steel products if customer need.

The sales market used to be for domestic sales. Customers include sheet metal companies, small and medium-sized steel structure manufacturers, IPHONE machine equipment manufacturers, government public works, luxury home designers, expressway companies, and so on. Recently started to develop import and export business. In terms of import, different steel materials have been imported from Japan and India to provide customers with more complete services and needs; export is on the Alibaba e-commerce platform, Taiwan Economic and Trade Network, etc., and expect to be able to ship in small batches. The characteristics of the company can meet the metal needs of foreign small and medium-sized enterprises.

PROCESSED

• Surface treatment



Galvanized



Sandblasted



Polished



Baked paint

• Other processing



Coiling



Laser Cutting



Bending



Welding